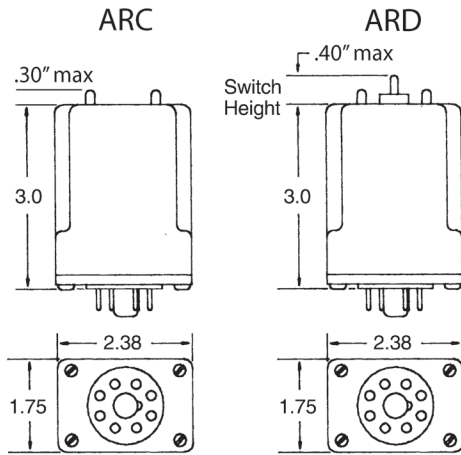


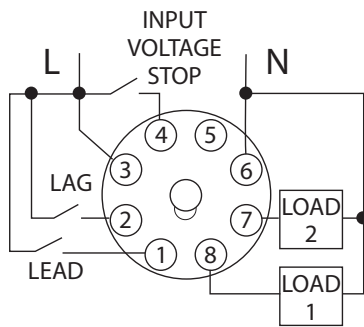


Duplexor

DIMENSIONS (INCHES)



WIRING



The **ARC/ARD Series** is a duplexor that detects input of float switch inputs and determines outputs to turn on with line voltage. As the lag and lead switches open, the loads remain energized. When all switches open both loads de-energize simultaneously and the lead load alternates. The ARD series has a 3 position selector switch to lock it into normal duplexing action, 1-2 sequence or 2-1 sequence.

Sequence On-Simultaneous Off (SOSO)

SPECIFICATIONS

CONTROL VOLTAGE	120 VAC +10/-20 %	
POWER REQUIRED	Less than 3 VAC	
DUTY CYCLE	Continuous	
LIFE EXPECTANCY	Mechanical	10,000,000 Operations (Minimum)
	Electrical	100,000 Operations @ Rated Load
INDICATORS	LED Shows Output Position	
TEMPERATURES RATING	Operate	32 to 149°F (0 to 65°C)
	Storage	-40° to 185°F (-40° to +85°C)
CONTACT RATING	5 Amps Resistive @ 120 VAC (Single Output)	
	1/6 hp @ 120 VAC (Single Output)	
	10 Amps Res. @ 120 VAC (Combined Output)	
	1/3 hp @ 120 VAC (Combined Output)	
ENCLOSURE	"A" Lexan® Dust Cover	
TERMINATIONS	Industrial Plug-in	
WEIGHT	6.4 oz.	

MODEL NUMBER

MODEL NUMBER	AR					A
TYPE OF ALTERNATING RELAY	Standard Duplexor	C				
	Special Function Duplexor	D				
CONTROL VOLTAGE	120 VAC		120			
TYPE OF VOLTAGE	VAC			A		
CONTACT CONFIGURATION	SPDT Two Line Voltage Outputs					
	(Crosswired)				A	
ENCLOSURE STYLE						A